

LEDMPAL220/300

220/300 Watt Multi-Purpose LED Area Light

Project:	
Type:	
Catalog #:	



Steel Arm Mount Option



Slip-Fitter Mount Option

STANDARD



The LEDMPAL series is a group of architectural LED area luminaires designed to illuminate parking areas, pathways, building facades, loading docks, and a wide variety of other large, general site lighting applications. Multiple mounting options make the LEDMPAL a versatile luminaire for flood lighting, pole-, ground- and wall-mounted area lighting, and other outdoor lighting requirements.

FEATURES

- Available in 4000K (neutral white) and 5000K (cool white).*
- Long-life LEDs provide at least 57,000 hours of operation with at least 70% of initial lumen output (L₇₀).**
- LEDMPAL220 delivers 21,578 lumens (97 lumens per watt, LPW) at 4000k, and 25,684 lumens (115 LPW) at 5000k.*
- LEDMPAL300 delivers 30,857 lumens (102 LPW) at both 4000k and at 5000k.*
- Universal 100-277 AC voltage (50-60Hz) is standard.
- 0-10vdc dimming capability is standard.
- Power factor > 0.90.
- Total harmonic distortion < 20%.
- Color rendering index > 80.
- Die cast aluminum housing with durable, dark bronze powder coat finish, and a heat-resistant polycarbonate lens.
- Effective projected areas (EPA's) are: Front = 0.51 sf; Side = 0.37 sf; and Face = 1.74 sf.
- Easy installation in new construction or retrofit applications.

* Contact factory for other color temperatures and lumen packages.

** L₇₀ hours are IES TM-21-11 calculated hours.

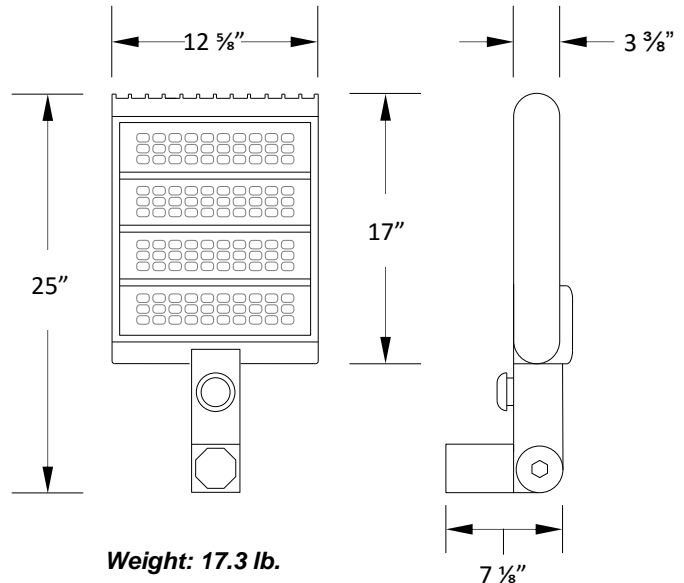
WARRANTY & LISTINGS

- cULus listed for wet locations (-30°C to 40°C / -22°F to 104°F)
- IP65 rated.
- DLC approved.
- Tested to UL1598, UL8750 and IEC60598 safety standards.
- 5-year warranty on all electronics and housing.

MOUNTING OPTIONS

- Slip-fitter mount provides attachment to poles (2 3/8" O.D. tenon).
- Steel arm mount provides secure attachment to flat surfaces.
- Yoke (trunnion) mount available by special order.

DIMENSIONS



ORDERING INFORMATION

Example: LEDMPAL220-4K + LEDMPAL-SF-80/300

Model	Luminaire Watts	Color Temperature	Luminaire Lumens	Lumens / Watt	Mounting Options (Order Separately)
LEDMPAL220	223	4K = 4000k	21,578	97	Slip-Fitter Mount = LEDMPAL-SF-80/300 Steel Arm Mount = LEDMPAL-A-80/300
		5K = 5000k	25,684	115	
LEDMPAL300	304	4K = 4000k	30,857	102	Yoke (Trunnion) Mount = LEDMPAL-Y-80/300
		5K = 5000k	30,857	102	

LEDMPAL220/300 220/300 Watt Multi-Purpose LED Area Light

ELECTRICAL DATA

Model	Color Temperature	CRI ¹	Luminaire Lumens	Luminaire Watts	Lumens Per Watt	Input Voltage	Input Current (A)			Power Factor	THD ²	L ₇₀ Hours ³
							120V	240V	277V			
LEDMPAL220-4K	4000k	> 80	21,578	223	97	120-277 (50-60Hz)	1.86	0.93	0.81	> 90%	< 20%	69,000
LEDMPAL220-5K	5000k	> 80	25,684	223	115	120-277 (50-60Hz)	1.86	0.93	0.81	> 90%	< 20%	69,000
LEDMPAL300-4K	4000k	> 80	30,857	304	102	120-277 (50-60Hz)	2.53	1.27	1.10	> 90%	< 20%	57,000
LEDMPAL300-5K	5000k	> 80	30,857	304	102	120-277 (50-60Hz)	2.53	1.27	1.10	> 90%	< 20%	57,000

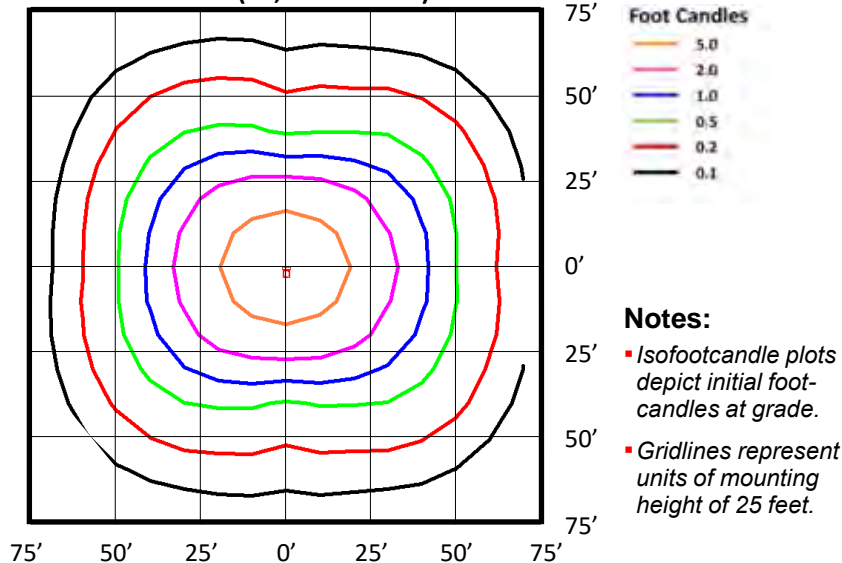
¹ Color rendering index

² Total harmonic distortion

³ L₇₀ refers to the number of hours at which lumen output declines to 70% of the initial level. L₇₀ hours are IES TM-21-11 calculated hours.

PHOTOMETRIC DATA

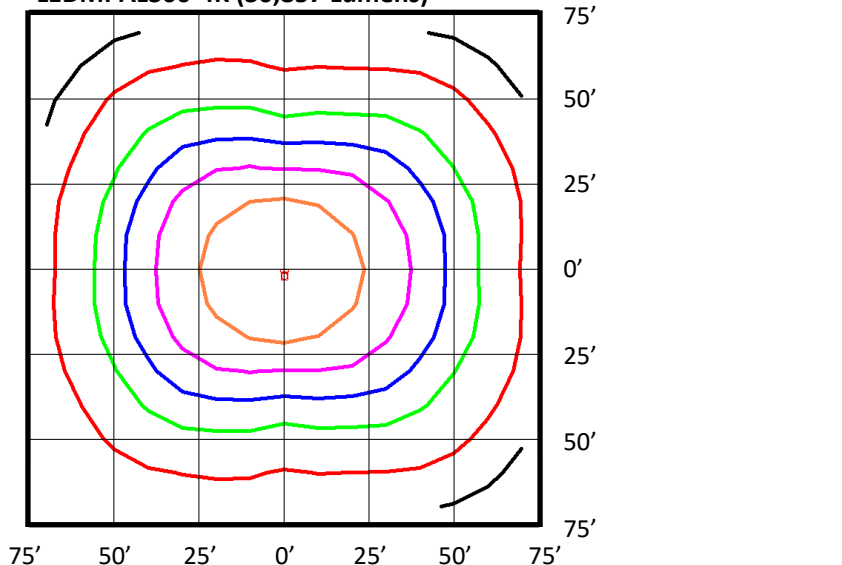
LEDMPAL220-4K (21,578 Lumens)



BUG Rating: B4-U3-G3

Zone	Lumens	%
FL - Front - Low (0-30)	2,730	13%
FM - Front - Medium (30-60)	5,810	27%
FH - Front - High (60-80)	2,135	10%
FVH - Front - Very High (80-90)	238	1%
Total Forward Light	10,914	51%
BL - Back - Low (0-30)	2,724	13%
BM - Back - Medium (30-60)	5,647	26%
BH - Back - High (60-80)	2,050	9%
BVH - Back - Very High (80-90)	183	1%
Total Back Light	10,604	49%
UL - Up Light - Low (90-100)	3	0%
UH - Up Light - High (100-180)	56	0%
Total Up Light	60	0%
Total Lumens	21,578	100%

LEDMPAL300-4K (30,857 Lumens)



BUG Rating: B4-U3-G4

Zone	Lumens	%
FL - Front - Low (0-30)	3,727	12%
FM - Front - Medium (30-60)	8,331	27%
FH - Front - High (60-80)	3,274	11%
FVH - Front - Very High (80-90)	296	1%
Total Forward Light	15,628	51%
BL - Back - Low (0-30)	3,631	12%
BM - Back - Medium (30-60)	8,063	26%
BH - Back - High (60-80)	3,235	10%
BVH - Back - Very High (80-90)	246	1%
Total Back Light	15,175	49%
UL - Up Light - Low (90-100)	3	0%
UH - Up Light - High (100-180)	51	0%
Total Up Light	54	0%
Total Lumens	30,857	100%